

PERFORMANCE
MADE
SMARTER

Wiring manual **7908/7916**

ABB wiring manual and I/O card reference list



TEMPERATURE | I.S. INTERFACES | COMMUNICATION INTERFACES | MULTIFUNCTIONAL | ISOLATION | DISPLAY

System 9000 Backplane
No. 7900AWM101_UK

PR
electronics

6 Product Pillars

to meet your every need

Individually outstanding, unrivalled in combination

With our innovative, patented technologies, we make signal conditioning smarter and simpler. Our portfolio is composed of six product areas, where we offer a wide range of analog and digital devices covering over a thousand applications in industrial and factory automation. All our products comply with or surpass the highest industry standards, ensuring reliability in even the harshest of environments and have a 5-year warranty for greater peace of mind.



Temperature

Our range of temperature transmitters and sensors provides the highest level of signal integrity from the measurement point to your control system. You can convert industrial process temperature signals to analog, bus or digital communications using a highly reliable point-to-point solution with a fast response time, automatic self-calibration, sensor error detection, low drift, and top EMC performance in any environment.



I.S. Interface

We deliver the safest signals by validating our products against the toughest safety standards. Through our commitment to innovation, we have made pioneering achievements in developing I.S. interfaces with SIL 2 Full Assessment that are both efficient and cost-effective. Our comprehensive range of analog and digital intrinsically safe isolation barriers offers multifunctional inputs and outputs, making PR an easy-to-implement site standard. Our backplanes further simplify large installations and provide seamless integration to standard DCS systems.



Communication

We provide inexpensive, easy-to-use, future-ready communication interfaces that can access your PR installed base of products. The detachable 4501 Local Operator Interface (LOI) allows for local monitoring of process values, device configuration, error detection and signal simulation. The next generation, our 4511 Remote Operator Interface (ROI) does all that and more, adding remote digital communications via Modbus/RTU, while the analog output signals are still available for redundancy.

With the 4511 you can further expand connectivity with a PR gateway, which connects via industrial Ethernet, wirelessly through a Wi-Fi router or directly with the devices using our Portable Plant Supervisor (PPS) application. The PPS app is available for iOS, Android and Windows.



Multifunction

Our unique range of single devices covering multiple applications is easily deployable as your site standard. Having one variant that applies to a broad range of applications can reduce your installation time and training, and greatly simplify spare parts management at your facilities. Our devices are designed for long-term signal accuracy, low power consumption, immunity to electrical noise and simple programming.



Isolation

Our compact, fast, high-quality 6 mm isolators are based on microprocessor technology to provide exceptional performance and EMC-immunity for dedicated applications at a very low total cost of ownership. They can be stacked both vertically and horizontally with no air gap separation between units required.



Display

Our display range is characterized by its flexibility and stability. The devices meet nearly every demand for display readout of process signals, and have universal input and power supply capabilities. They provide a real-time measurement of your process value no matter the industry, and are engineered to provide a user-friendly and reliable relay of information, even in demanding environments.

System 9000 Backplane ABB wiring manual and I/O card reference list

Table of contents

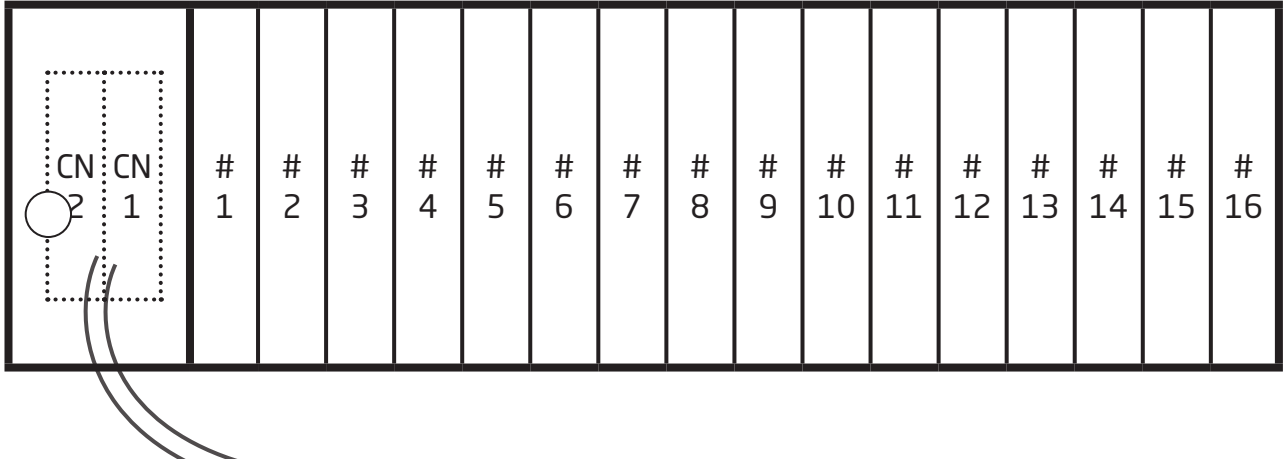
Intro.....	4
Supported ABB S800 DCS systems & I/O cards	4
Supply and status relay connections and ABB system cable connectors	5
Backplane to ABB S800 I/O card wiring	6
AI810, AI815, AI845 and AI880 cards, 8 modules - 16 x AI, PR 9106 2 ch.	7
AI810, AI815, AI845 and AI880 cards, 8 modules - 16 x AI, PR 9113 2 ch.	8
AI810, AI815, AI845 and AI880 cards, 8 modules - 8 x AI, PR 9106 1 ch.....	9
AI810, AI815, AI845 and AI880 cards, 8 modules - 8 x AI, PR 9113 1 ch.....	10
AI810, AI815, AI845 and AI880 cards, 16 modules - 16 x AI, PR 9106 1 ch.	11
AI810, AI815, AI845 and AI880 cards, 16 modules - 16 x AI, PR 9113 1 ch.	13
AO810, AO815 and AO845 cards, 8 modules - 16 x AO, PR 9107 2 ch.	15
AO810, AO815 and AO845 cards, 8 modules - 8 x AO, PR 9107 1 ch.	16
AO810, AO815 and AO845 cards, 16 modules - 16 x AO, PR 9107 1 ch.....	17
DI810, DI814, DI830, DI840 and DI880 cards, 8 modules - 16 x DI, PR 9202 2 ch.	19
DI810, DI814, DI830, DI840 and DI880 cards, 16 modules - 32 x DI, PR 9202 2 ch.	20
DI810, DI814, DI830, DI840 and DI880 cards, 16 modules - 16 x DI, PR 9202 1 ch.	22
DO810, DO840 and DO880 cards, 8 modules - 16 x DO, PR 9203 2 ch.....	24
DO810, DO840 and DO880 cards, 16 modules - 32 x DO, PR 9203 2 ch.	25
DO810, DO840 and DO880 cards, 16 modules - 16 x DO, PR 9203 1 ch.	27
Appendix	29
System cables for abb backplanes	30
9106 AI I.S. or non-I.S. isolation barrier - wiring connections	31
9107 AO I.S. or non-I.S. isolation barrier - wiring connections	32
9113 AI I.S. or non-I.S. isolation barrier - wiring connections	33
9202 AO I.S. or non-I.S. isolation barrier - wiring connections	34
9203 AI I.S. or non-I.S. isolation barrier - wiring connections	35
Document history	36

Supported ABB S800 DCS systems & I/O cards

DCS System	I/O card reference	I/O type	PR System 9000 device	# Slot	PR Ordering references
S800	2 x AI810 2 x AI815 2 x AI845 2 x AI880	16 x AI	8 x 9106xxB	1...8	7908-ABBS8-A1B
	8 x 9113xB				
	1 x AI810 1 x AI815 1 x AI845 1 x AI880	8 x AI	8 x 9106xxA	1...8	7908-ABBS8-A1A
	8 x 9113xA				
	2 x AI810 2 x AI815 2 x AI845 2 x AI880	16 x AI	16 x 9106xxA	1...16	7916-ABBS8-A1A
	16 x 9113xA				
	2 x AO810 2 x AO815 2 x AO845	16 x AO	8 x 9107xB	1...8	7908-ABBS8-B1D
	1 x AO810 1 x AO815 1 x AO845	8 x AO	8 x 9107xA	1...8	7908-ABBS8-B1C
	2 x AO810 2 x AO815 2 x AO845	16 x AO	16 x 9107xA	1...16	7916-ABBS8-B1C
	1 x DI810 1 x DI814 1 x DI830 1 x DI840 1 x DI880	16 x DI	8 x 9202xxB	1...8	7908-ABBS8-C1H
	2 x DI810 2 x DI814 2 x DI830 2 x DI840 2 x DI880				
	1 x DI810 1 x DI814 1 x DI830 1 x DI840 1 x DI880	16 x DI	16 x 9202xxA	1...16	7916-ABBS8-C1G
	1 x DO810 1 x DO840 1 x DO880	16 x DO	8 x 9203xxBx	1...8	7908-ABBS8-D1J
	2 x DO810 2 x DO840 2 x DO880	32 x DO	16 x 9203xxBx	1...16	7916-ABBS8-D1J
1 x DO810 1 x DO840 1 x DO880	16 x DO	16 x 9203xxAx	1...16	7916-ABBS8-D1I	

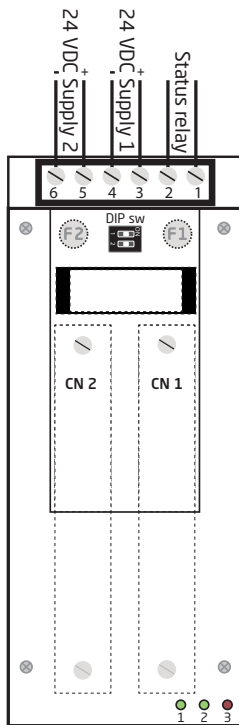
!! Do not mix I.S. and non-I.S. devices on the same backplane

Supply and status relay connections and ABB S800 system cable connectors

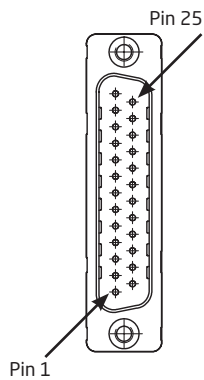


Shielded round cable, assembled with two SUB-D 25 female connectors pin to pin.

Backplane Dual connectors



CN 1 and CN 2 SUB-D 25 male



Backplane to ABB S800 I/O card wiring

7908-ABBS8-A1B

AI810, AI815, AI845 and AI880 card wiring via 2 x TU812

16 x AI - PR 9106xxB 2 channels

9106xxB Field equipment terminals				DCS 1 connection TU812 CN1 SUB-D 25
Unit	Ch.	2-w Tx mA-signal	Active mA-signal	Signal name / Pin number
#1	1	44 (+)	41 (-)	Ch1 Input / 16
		43 (-)	42 (+)	0 V ref. / 2, 12, 15, 25
	2	54 (+)	51 (-)	Ch2 Input / 17
		53 (-)	52 (+)	0 V ref. / 2, 12, 15, 25
#2	1	44 (+)	41 (-)	Ch3 Input / 18
		43 (-)	42 (+)	0 V ref. / 2, 12, 15, 25
	2	54 (+)	51 (-)	Ch4 Input / 19
		53 (-)	52 (+)	0 V ref. / 2, 12, 15, 25
#3	1	44 (+)	41 (-)	Ch5 Input / 20
		43 (-)	42 (+)	0 V ref. / 2, 12, 15, 25
	2	54 (+)	51 (-)	Ch6 Input / 21
		53 (-)	52 (+)	0 V ref. / 2, 12, 15, 25
#4	1	44 (+)	41 (-)	Ch7 Input / 22
		43 (-)	42 (+)	0 V ref. / 2, 12, 15, 25
	2	54 (+)	51 (-)	Ch8 Input / 23
		53 (-)	52 (+)	0 V ref. / 2, 12, 15, 25
				DCS 2 connection TU812 CN2 SUB-D 25
#5	1	44 (+)	41 (-)	Ch1 Input / 16
		43 (-)	42 (+)	0 V ref. / 2, 12, 15, 25
	2	54 (+)	51 (-)	Ch2 Input / 17
		53 (-)	52 (+)	0 V ref. / 2, 12, 15, 25
#6	1	44 (+)	41 (-)	Ch3 Input / 18
		43 (-)	42 (+)	0 V ref. / 2, 12, 15, 25
	2	54 (+)	51 (-)	Ch4 Input / 19
		53 (-)	52 (+)	0 V ref. / 2, 12, 15, 25
#7	1	44 (+)	41 (-)	Ch5 Input / 20
		43 (-)	42 (+)	0 V ref. / 2, 12, 15, 25
	2	54 (+)	51 (-)	Ch6 Input / 21
		53 (-)	52 (+)	0 V ref. / 2, 12, 15, 25
#8	1	44 (+)	41 (-)	Ch7 Input / 22
		43 (-)	42 (+)	0 V ref. / 2, 12, 15, 25
	2	54 (+)	51 (-)	Ch8 Input / 23
		53 (-)	52 (+)	0 V ref. / 2, 12, 15, 25

7908-ABBS8-A1B

AI810, AI815, AI845 and AI880 card wiring via 2 x TU812

16 x AI - PR 9113xB 2 channels

9113xB Field equipment terminals					DCS 1 connection TU812 CN1 SUB-D 25
Unit	Ch.	RTD, 2- / 3- / 4-wire	TC	Current	Signal name / Pin number
#1	1	43 or 43/41 or 43/41/44 (*)	41 (+)	43 (+)	Ch1 Input / 16
		42	42 (-)	42 (-)	0 V ref. / 2, 12, 15, 25
	2	53 or 53/51 or 53/51/54 (*)	51 (+)	53 (+)	Ch2 Input / 17
		52	52 (-)	52 (-)	0 V ref. / 2, 12, 15, 25
#2	1	43 or 43/41 or 43/41/44 (*)	41 (+)	43 (+)	Ch3 Input / 18
		42	42 (-)	42 (-)	0 V ref. / 2, 12, 15, 25
	2	53 or 53/51 or 53/51/54 (*)	51 (+)	53 (+)	Ch4 Input / 19
		52	52 (-)	52 (-)	0 V ref. / 2, 12, 15, 25
#3	1	43 or 43/41 or 43/41/44 (*)	41 (+)	43 (+)	Ch5 Input / 20
		42	42 (-)	42 (-)	0 V ref. / 2, 12, 15, 25
	2	53 or 53/51 or 53/51/54 (*)	51 (+)	53 (+)	Ch6 Input / 21
		52	52 (-)	52 (-)	0 V ref. / 2, 12, 15, 25
#4	1	43 or 43/41 or 43/41/44 (*)	41 (+)	43 (+)	Ch7 Input / 22
		42	42 (-)	42 (-)	0 V ref. / 2, 12, 15, 25
	2	53 or 53/51 or 53/51/54 (*)	51 (+)	53 (+)	Ch8 Input / 23
		52	52 (-)	52 (-)	0 V ref. / 2, 12, 15, 25
					DCS 2 connection TU812 CN2 SUB-D 25
#5	1	43 or 43/41 or 43/41/44 (*)	41 (+)	43 (+)	Ch1 Input / 16
		42	42 (-)	42 (-)	0 V ref. / 2, 12, 15, 25
	2	53 or 53/51 or 53/51/54 (*)	51 (+)	53 (+)	Ch2 Input / 17
		52	52 (-)	52 (-)	0 V ref. / 2, 12, 15, 25
#6	1	43 or 43/41 or 43/41/44 (*)	41 (+)	43 (+)	Ch3 Input / 18
		42	42 (-)	42 (-)	0 V ref. / 2, 12, 15, 25
	2	53 or 53/51 or 53/51/54 (*)	51 (+)	53 (+)	Ch4 Input / 19
		52	52 (-)	52 (-)	0 V ref. / 2, 12, 15, 25
#7	1	43 or 43/41 or 43/41/44 (*)	41 (+)	43 (+)	Ch5 Input / 20
		42	42 (-)	42 (-)	0 V ref. / 2, 12, 15, 25
	2	53 or 53/51 or 53/51/54 (*)	51 (+)	53 (+)	Ch6 Input / 21
		52	52 (-)	52 (-)	0 V ref. / 2, 12, 15, 25
#8	1	43 or 43/41 or 43/41/44 (*)	41 (+)	43 (+)	Ch7 Input / 22
		42	42 (-)	42 (-)	0 V ref. / 2, 12, 15, 25
	2	53 or 53/51 or 53/51/54 (*)	51 (+)	53 (+)	Ch8 Input / 23
		52	52 (-)	52 (-)	0 V ref. / 2, 12, 15, 25

Please note:

(*) Check 9113 manual for correct contact input wiring.

7908-ABBS8-A1A

AI810, AI815, AI845 and AI880 card wiring via TU812

8 x AI - PR 9106xxA 1 channel

9106xxA Field equipment terminals				DCS connection TU812 CN1 SUB-D 25
Unit	Ch.	2-w Tx mA-signal	Active mA-signal	Signal name / Pin number
#1	1	44 (+)	41 (-)	Ch1 Input / 16
		43 (-)	42 (+)	0 V ref. / 2, 12, 15, 25
#2	1	44 (+)	41 (-)	Ch2 Input / 17
		43 (-)	42 (+)	0 V ref. / 2, 12, 15, 25
#3	1	44 (+)	41 (-)	Ch3 Input / 18
		43 (-)	42 (+)	0 V ref. / 2, 12, 15, 25
#4	1	44 (+)	41 (-)	Ch4 Input / 19
		43 (-)	42 (+)	0 V ref. / 2, 12, 15, 25
#5	1	44 (+)	41 (-)	Ch5 Input / 20
		43 (-)	42 (+)	0 V ref. / 2, 12, 15, 25
#6	1	44 (+)	41 (-)	Ch6 Input / 21
		43 (-)	42 (+)	0 V ref. / 2, 12, 15, 25
#7	1	44 (+)	41 (-)	Ch7 Input / 22
		43 (-)	42 (+)	0 V ref. / 2, 12, 15, 25
#8	1	44 (+)	41 (-)	Ch8 Input / 23
		43 (-)	42 (+)	0 V ref. / 2, 12, 15, 25

7908-ABBS8-A1A

AI810, AI815, AI845 and AI880 card wiring via TU812

8 x AI - PR 9113xA 1 channel

9113xA Field equipment terminals					DCS connection TU812 CN1 SUB-D 25
Unit	Ch.	RTD, 2- / 3- / 4-wire	TC	Current	Signal name / Pin number
#1	1	43 or 43/41 or 43/41/44 (*)	41 (+)	43 (+)	Ch1 Input / 16
		42	42 (-)	42 (-)	0 V ref. / 2, 12, 15, 25
#2	1	43 or 43/41 or 43/41/44 (*)	41 (+)	43 (+)	Ch2 Input / 17
		42	42 (-)	42 (-)	0 V ref. / 2, 12, 15, 25
#3	1	43 or 43/41 or 43/41/44 (*)	41 (+)	43 (+)	Ch3 Input / 18
		42	42 (-)	42 (-)	0 V ref. / 2, 12, 15, 25
#4	1	43 or 43/41 or 43/41/44 (*)	41 (+)	43 (+)	Ch4 Input / 19
		42	42 (-)	42 (-)	0 V ref. / 2, 12, 15, 25
#5	1	43 or 43/41 or 43/41/44 (*)	41 (+)	43 (+)	Ch5 Input / 20
		42	42 (-)	42 (-)	0 V ref. / 2, 12, 15, 25
#6	1	43 or 43/41 or 43/41/44 (*)	41 (+)	43 (+)	Ch6 Input / 21
		42	42 (-)	42 (-)	0 V ref. / 2, 12, 15, 25
#7	1	43 or 43/41 or 43/41/44 (*)	41 (+)	43 (+)	Ch7 Input / 22
		42	42 (-)	42 (-)	0 V ref. / 2, 12, 15, 25
#8	1	43 or 43/41 or 43/41/44 (*)	41 (+)	43 (+)	Ch8 Input / 23
		42	42 (-)	42 (-)	0 V ref. / 2, 12, 15, 25

Please note:

(*) Check 9113 manual for correct contact input wiring.

7916-ABBS8-A1A

AI810, AI815, AI845 and AI880 card wiring via 2 x TU812

16 x AI - PR 9106xxA 1 channel

9106xxA Field equipment terminals				DCS 1 connection TU812 CN1 SUB-D 25
Unit	Ch.	2-w Tx mA-signal	Active mA-signal	Signal name / Pin number
#1	1	44 (+)	41 (-)	Ch1 Input / 16
		43 (-)	42 (+)	0 V ref. / 2, 12, 15, 25
#2	1	44 (+)	41 (-)	Ch2 Input / 17
		43 (-)	42 (+)	0 V ref. / 2, 12, 15, 25
#3	1	44 (+)	41 (-)	Ch3 Input / 18
		43 (-)	42 (+)	0 V ref. / 2, 12, 15, 25
#4	1	44 (+)	41 (-)	Ch4 Input / 19
		43 (-)	42 (+)	0 V ref. / 2, 12, 15, 25
#5	1	44 (+)	41 (-)	Ch5 Input / 20
		43 (-)	42 (+)	0 V ref. / 2, 12, 15, 25
#6	1	44 (+)	41 (-)	Ch6 Input / 21
		43 (-)	42 (+)	0 V ref. / 2, 12, 15, 25
#7	1	44 (+)	41 (-)	Ch7 Input / 22
		43 (-)	42 (+)	0 V ref. / 2, 12, 15, 25
#8	1	44 (+)	41 (-)	Ch8 Input / 23
		43 (-)	42 (+)	0 V ref. / 2, 12, 15, 25

9106xxA Field equipment terminals				DCS 2 connection TU812 CN2 SUB-D 25
Unit	Ch.	2-w Tx mA-signal	Active mA-signal	Signal name / Pin number
#9	1	44 (+)	41 (-)	Ch1 Input / 16
		43 (-)	42 (+)	0 V ref. / 2, 12, 15, 25
#10	1	44 (+)	41 (-)	Ch2 Input / 17
		43 (-)	42 (+)	0 V ref. / 2, 12, 15, 25
#11	1	44 (+)	41 (-)	Ch3 Input / 18
		43 (-)	42 (+)	0 V ref. / 2, 12, 15, 25
#12	1	44 (+)	41 (-)	Ch4 Input / 19
		43 (-)	42 (+)	0 V ref. / 2, 12, 15, 25
#13	1	44 (+)	41 (-)	Ch5 Input / 20
		43 (-)	42 (+)	0 V ref. / 2, 12, 15, 25
#14	1	44 (+)	41 (-)	Ch6 Input / 21
		43 (-)	42 (+)	0 V ref. / 2, 12, 15, 25
#15	1	44 (+)	41 (-)	Ch7 Input / 22
		43 (-)	42 (+)	0 V ref. / 2, 12, 15, 25
#16	1	44 (+)	41 (-)	Ch8 Input / 23
		43 (-)	42 (+)	0 V ref. / 2, 12, 15, 25

7916-ABBS8-A1A

AI810, AI815, AI845 and AI880 card wiring via 2 x TU812

16 x AI - PR 9113xA 1 channel

9113xA Field equipment terminals					DCS 1 connection TU812 CN1 SUB-D 25
Unit	Ch.	RTD, 2- / 3- / 4-wire	TC	Current	Signal name / Pin number
#1	1	43 or 43/41 or 43/41/44 (*)	41 (+)	43 (+)	Ch1 Input / 16
		42	42 (-)	42 (-)	0 V ref. / 2, 12, 15, 25
#2	1	43 or 43/41 or 43/41/44 (*)	41 (+)	43 (+)	Ch2 Input / 17
		42	42 (-)	42 (-)	0 V ref. / 2, 12, 15, 25
#3	1	43 or 43/41 or 43/41/44 (*)	41 (+)	43 (+)	Ch3 Input / 18
		42	42 (-)	42 (-)	0 V ref. / 2, 12, 15, 25
#4	1	43 or 43/41 or 43/41/44 (*)	41 (+)	43 (+)	Ch4 Input / 19
		42	42 (-)	42 (-)	0 V ref. / 2, 12, 15, 25
#5	1	43 or 43/41 or 43/41/44 (*)	41 (+)	43 (+)	Ch5 Input / 20
		42	42 (-)	42 (-)	0 V ref. / 2, 12, 15, 25
#6	1	43 or 43/41 or 43/41/44 (*)	41 (+)	43 (+)	Ch6 Input / 21
		42	42 (-)	42 (-)	0 V ref. / 2, 12, 15, 25
#7	1	43 or 43/41 or 43/41/44 (*)	41 (+)	43 (+)	Ch7 Input / 22
		42	42 (-)	42 (-)	0 V ref. / 2, 12, 15, 25
#8	1	43 or 43/41 or 43/41/44 (*)	41 (+)	43 (+)	Ch8 Input / 23
		42	42 (-)	42 (-)	0 V ref. / 2, 12, 15, 25

Please note:

(*) Check 9113 manual for correct contact input wiring.

9113xA Field equipment terminals					DCS 2 connection TU812 CN2 SUB-D 25
Unit	Ch.	RTD, 2- / 3- / 4-wire	TC	Current	Signal name / Pin number
#9	1	43 or 43/41 or 43/41/44 (*)	41 (+)	43 (+)	Ch1 Input / 16
		42	42 (-)	42 (-)	0 V ref. / 2, 12, 15, 25
#10	1	43 or 43/41 or 43/41/44 (*)	41 (+)	43 (+)	Ch2 Input / 17
		42	42 (-)	42 (-)	0 V ref. / 2, 12, 15, 25
#11	1	43 or 43/41 or 43/41/44 (*)	41 (+)	43 (+)	Ch3 Input / 18
		42	42 (-)	42 (-)	0 V ref. / 2, 12, 15, 25
#12	1	43 or 43/41 or 43/41/44 (*)	41 (+)	43 (+)	Ch4 Input / 19
		42	42 (-)	42 (-)	0 V ref. / 2, 12, 15, 25
#13	1	43 or 43/41 or 43/41/44 (*)	41 (+)	43 (+)	Ch5 Input / 20
		42	42 (-)	42 (-)	0 V ref. / 2, 12, 15, 25
#14	1	43 or 43/41 or 43/41/44 (*)	41 (+)	43 (+)	Ch6 Input / 21
		42	42 (-)	42 (-)	0 V ref. / 2, 12, 15, 25
#15	1	43 or 43/41 or 43/41/44 (*)	41 (+)	43 (+)	Ch7 Input / 22
		42	42 (-)	42 (-)	0 V ref. / 2, 12, 15, 25
#16	1	43 or 43/41 or 43/41/44 (*)	41 (+)	43 (+)	Ch8 Input / 23
		42	42 (-)	42 (-)	0 V ref. / 2, 12, 15, 25

Please note:

(*) Check 9113 manual for correct contact input wiring.

7908-ABBS8-B1D

A0810, A0815 and A0845 card wiring via 2 x TU812

16 x A0 - PR 9107xB 2 channels

9107xB Field equipment terminals				DCS 1 connection TU812 CN1 SUB-D 25
Unit	Ch.		Active mA-signal	Signal name / Pin number
#1	1		42 (+)	Ch1 Output / 3
			41 (-)	0 V ref. / 2, 12, 15, 25
	2		52 (+)	Ch2 Output / 4
			51 (-)	0 V ref. / 2, 12, 15, 25
#2	1		42 (+)	Ch3 Output / 5
			41 (-)	0 V ref. / 2, 12, 15, 25
	2		52 (+)	Ch4 Output / 6
			51 (-)	0 V ref. / 2, 12, 15, 25
#3	1		42 (+)	Ch5 Output / 7
			41 (-)	0 V ref. / 2, 12, 15, 25
	2		52 (+)	Ch6 Output / 8
			51 (-)	0 V ref. / 2, 12, 15, 25
#4	1		42 (+)	Ch7 Input / 9
			41 (-)	0 V ref. / 2, 12, 15, 25
	2		52 (+)	Ch8 Output / 10
			51 (-)	0 V ref. / 2, 12, 15, 25
				DCS 2 connection TU812 CN2 SUB-D 25
#5	1		42 (+)	Ch1 Output / 3
			41 (-)	0 V ref. / 2, 12, 15, 25
	2		52 (+)	Ch2 Output / 4
			51 (-)	0 V ref. / 2, 12, 15, 25
#6	1		42 (+)	Ch3 Output / 5
			41 (-)	0 V ref. / 2, 12, 15, 25
	2		52 (+)	Ch4 Output / 6
			51 (-)	0 V ref. / 2, 12, 15, 25
#7	1		42 (+)	Ch5 Output / 7
			41 (-)	0 V ref. / 2, 12, 15, 25
	2		52 (+)	Ch6 Output / 8
			51 (-)	0 V ref. / 2, 12, 15, 25
#8	1		42 (+)	Ch7 Input / 9
			41 (-)	0 V ref. / 2, 12, 15, 25
	2		52 (+)	Ch8 Output / 10
			51 (-)	0 V ref. / 2, 12, 15, 25

7908-ABBS8-B1C

A0810, A0815 and A0845 card wiring via 1 x TU812

8 x AO - PR 9107xA 1 channel

9107xA Field equipment terminals				DCS connection TU812 CN1 SUB-D 25
Unit	Ch.		Active mA-signal	Signal name / Pin number
#1	1		42 (+)	Ch1 Output / 3
			41 (-)	0 V ref. / 2, 12, 15, 25
#2	1		42 (+)	Ch2 Output / 4
			41 (-)	0 V ref. / 2, 12, 15, 25
#3	1		42 (+)	Ch3 Output / 5
			41 (-)	0 V ref. / 2, 12, 15, 25
#4	1		42 (+)	Ch4 Input / 6
			41 (-)	0 V ref. / 2, 12, 15, 25
#5	1		42 (+)	Ch5 Output / 7
			41 (-)	0 V ref. / 2, 12, 15, 25
#6	1		42 (+)	Ch6 Output / 8
			41 (-)	0 V ref. / 2, 12, 15, 25
#7	1		42 (+)	Ch7 Output / 9
			41 (-)	0 V ref. / 2, 12, 15, 25
#8	1		42 (+)	Ch8 Input / 10
			41 (-)	0 V ref. / 2, 12, 15, 25

7916-ABBS8-B1C

A0810, A0815 and A0845 card wiring via 2 x TU812

16 x A0 - PR 9107xA 1 channel

9107xA Field equipment terminals				DCS 1 connection TU812 CN1 SUB-D 25
Unit	Ch.		Active mA-signal	Signal name / Pin number
#1	1		42 (+)	Ch1 Output / 3
			41 (-)	0 V ref. / 2, 12, 15, 25
#2	1		42 (+)	Ch2 Output / 4
			41 (-)	0 V ref. / 2, 12, 15, 25
#3	1		42 (+)	Ch3 Output / 5
			41 (-)	0 V ref. / 2, 12, 15, 25
#4	1		42 (+)	Ch4 Input / 6
			41 (-)	0 V ref. / 2, 12, 15, 25
#5	1		42 (+)	Ch5 Output / 7
			41 (-)	0 V ref. / 2, 12, 15, 25
#6	1		42 (+)	Ch6 Output / 8
			41 (-)	0 V ref. / 2, 12, 15, 25
#7	1		42 (+)	Ch7 Output / 9
			41 (-)	0 V ref. / 2, 12, 15, 25
#8	1		42 (+)	Ch8 Input / 10
			41 (-)	0 V ref. / 2, 12, 15, 25

9107xA Field equipment terminals				DCS 2 connection TU812 CN2 SUB-D 25
Unit	Ch.		Active mA-signal	Signal name / Pin number
#9	1		42 (+)	Ch1 Output / 3
			41 (-)	0 V ref. / 2, 12, 15, 25
#10	1		42 (+)	Ch2 Output / 4
			41 (-)	0 V ref. / 2, 12, 15, 25
#11	1		42 (+)	Ch3 Output / 5
			41 (-)	0 V ref. / 2, 12, 15, 25
#12	1		42 (+)	Ch4 Input / 6
			41 (-)	0 V ref. / 2, 12, 15, 25
#13	1		42 (+)	Ch5 Output / 7
			41 (-)	0 V ref. / 2, 12, 15, 25
#14	1		42 (+)	Ch6 Output / 8
			41 (-)	0 V ref. / 2, 12, 15, 25
#15	1		42 (+)	Ch7 Output / 9
			41 (-)	0 V ref. / 2, 12, 15, 25
#16	1		42 (+)	Ch8 Input / 10
			41 (-)	0 V ref. / 2, 12, 15, 25

7908-ABBS8-C1H

DI810, DI814, DI830, DI840 and DI880 card wiring via 1 x TU812

16 x DI - PR 9202xxB 2 channels

9202xxB Field equipment terminals				DCS connection TU812 CN1 SUB-D 25
Unit	Ch.	NAMUR sensor	Contact signal	Signal name / Pin number
#1	1	44 (+)	44 or 43 or 43/41 (*)	Ch1 Input / 3
		42 (-)	42	0 V ref (**) / 2, 12, 15, 25
	2	54 (+)	54 or 53 or 53/51 (*)	Ch2 Input / 16
		52 (-)	52	0 V ref (**) / 2, 12, 15, 25
#2	1	44 (+)	44 or 43 or 43/41 (*)	Ch3 Input / 4
		42 (-)	42	0 V ref (**) / 2, 12, 15, 25
	2	54 (+)	54 or 53 or 53/51 (*)	Ch4 Input / 17
		52 (-)	52	0 V ref (**) / 2, 12, 15, 25
#3	1	44 (+)	44 or 43 or 43/41 (*)	Ch5 Input / 5
		42 (-)	42	0 V ref (**) / 2, 12, 15, 25
	2	54 (+)	54 or 53 or 53/51 (*)	Ch6 Input / 18
		52 (-)	52	0 V ref (**) / 2, 12, 15, 25
#4	1	44 (+)	44 or 43 or 43/41 (*)	Ch7 Input / 6
		42 (-)	42	0 V ref (**) / 2, 12, 15, 25
	2	54 (+)	54 or 53 or 53/51 (*)	Ch8 Input / 19
		52 (-)	52	0 V ref (**) / 2, 12, 15, 25
#5	1	44 (+)	44 or 43 or 43/41 (*)	Ch9 Input / 7
		42 (-)	42	0 V ref (**) / 2, 12, 15, 25
	2	54 (+)	54 or 53 or 53/51 (*)	Ch10 Input / 20
		52 (-)	52	0 V ref (**) / 2, 12, 15, 25
#6	1	44 (+)	44 or 43 or 43/41 (*)	Ch11 Input / 8
		42 (-)	42	0 V ref (**) / 2, 12, 15, 25
	2	54 (+)	54 or 53 or 53/51 (*)	Ch12 Input / 21
		52 (-)	52	0 V ref (**) / 2, 12, 15, 25
#7	1	44 (+)	44 or 43 or 43/41 (*)	Ch13 Input / 9
		42 (-)	42	0 V ref (**) / 2, 12, 15, 25
	2	54 (+)	54 or 53 or 53/51 (*)	Ch14 Input / 22
		52 (-)	52	0 V ref (**) / 2, 12, 15, 25
#8	1	44 (+)	44 or 43 or 43/41 (*)	Ch15 Input / 10
		42 (-)	42	0 V ref (**) / 2, 12, 15, 25
	2	54 (+)	54 or 53 or 53/51 (*)	Ch16 Input / 23
		52 (-)	52	0 V ref (**) / 2, 12, 15, 25

Please note:

(*) Check 9202 manual for correct contact input wiring.

(**) 0 V ref. / 2, 12, 15, 25 are shorted internally on the backplane.

7916-ABBS8-C1H

DI810, DI814, DI830, DI840 and DI880 card wiring via 2 x TU812

32 x DI - PR 9202xxB 2 channels

9202xxB Field equipment terminals				DCS 1 connection TU812 CN1 SUB-D 25
Unit	Ch.	NAMUR sensor	Contact signal	Signal name / Pin number
#1	1	44 (+)	44 or 43 or 43/41 (*)	Ch1 Input / 3
		42 (-)	42	0 V ref (**)/ 2, 12, 15, 25
	2	54 (+)	54 or 53 or 53/51 (*)	Ch2 Input / 16
		52 (-)	52	0 V ref (**)/ 2, 12, 15, 25
#2	1	44 (+)	44 or 43 or 43/41 (*)	Ch3 Input / 4
		42 (-)	42	0 V ref (**)/ 2, 12, 15, 25
	2	54 (+)	54 or 53 or 53/51 (*)	Ch4 Input / 17
		52 (-)	52	0 V ref (**)/ 2, 12, 15, 25
#3	1	44 (+)	44 or 43 or 43/41 (*)	Ch5 Input / 5
		42 (-)	42	0 V ref (**)/ 2, 12, 15, 25
	2	54 (+)	54 or 53 or 53/51 (*)	Ch6 Input / 18
		52 (-)	52	0 V ref (**)/ 2, 12, 15, 25
#4	1	44 (+)	44 or 43 or 43/41 (*)	Ch7 Input / 6
		42 (-)	42	0 V ref (**)/ 2, 12, 15, 25
	2	54 (+)	54 or 53 or 53/51 (*)	Ch8 Input / 19
		52 (-)	52	0 V ref (**)/ 2, 12, 15, 25
#5	1	44 (+)	44 or 43 or 43/41 (*)	Ch9 Input / 7
		42 (-)	42	0 V ref (**)/ 2, 12, 15, 25
	2	54 (+)	54 or 53 or 53/51 (*)	Ch10 Input / 20
		52 (-)	52	0 V ref (**)/ 2, 12, 15, 25
#6	1	44 (+)	44 or 43 or 43/41 (*)	Ch11 Input / 8
		42 (-)	42	0 V ref (**)/ 2, 12, 15, 25
	2	54 (+)	54 or 53 or 53/51 (*)	Ch12 Input / 21
		52 (-)	52	0 V ref (**)/ 2, 12, 15, 25
#7	1	44 (+)	44 or 43 or 43/41 (*)	Ch13 Input / 9
		42 (-)	42	0 V ref (**)/ 2, 12, 15, 25
	2	54 (+)	54 or 53 or 53/51 (*)	Ch14 Input / 22
		52 (-)	52	0 V ref (**)/ 2, 12, 15, 25
#8	1	44 (+)	44 or 43 or 43/41 (*)	Ch15 Input / 10
		42 (-)	42	0 V ref (**)/ 2, 12, 15, 25
	2	54 (+)	54 or 53 or 53/51 (*)	Ch16 Input / 23
		52 (-)	52	0 V ref (**)/ 2, 12, 15, 25

Please note:

(*) Check 9202 manual for correct contact input wiring.

(**) 0 V ref. / 2, 12, 15, 25 are shorted internally on the backplane.

9202xxB Field equipment terminals				DCS 2 connection TU812 CN2 SUB-D 25
Unit	Ch.	NAMUR sensor	Contact signal	Signal name / Pin number
#9	1	44 (+)	44 or 43 or 43/41 (*)	Ch1 Input / 3
		42 (-)	42	0 V ref (**) / 2, 12, 15, 25
	2	54 (+)	54 or 53 or 53/51 (*)	Ch2 Input / 16
		52 (-)	52	0 V ref (**) / 2, 12, 15, 25
#10	1	44 (+)	44 or 43 or 43/41 (*)	Ch3 Input / 4
		42 (-)	42	0 V ref (**) / 2, 12, 15, 25
	2	54 (+)	54 or 53 or 53/51 (*)	Ch4 Input / 17
		52 (-)	52	0 V ref (**) / 2, 12, 15, 25
#11	1	44 (+)	44 or 43 or 43/41 (*)	Ch5 Input / 5
		42 (-)	42	0 V ref (**) / 2, 12, 15, 25
	2	54 (+)	54 or 53 or 53/51 (*)	Ch6 Input / 18
		52 (-)	52	0 V ref (**) / 2, 12, 15, 25
#12	1	44 (+)	44 or 43 or 43/41 (*)	Ch7 Input / 6
		42 (-)	42	0 V ref (**) / 2, 12, 15, 25
	2	54 (+)	54 or 53 or 53/51 (*)	Ch8 Input / 19
		52 (-)	52	0 V ref (**) / 2, 12, 15, 25
#13	1	44 (+)	44 or 43 or 43/41 (*)	Ch9 Input / 7
		42 (-)	42	0 V ref (**) / 2, 12, 15, 25
	2	54 (+)	54 or 53 or 53/51 (*)	Ch10 Input / 20
		52 (-)	52	0 V ref (**) / 2, 12, 15, 25
#14	1	44 (+)	44 or 43 or 43/41 (*)	Ch11 Input / 8
		42 (-)	42	0 V ref (**) / 2, 12, 15, 25
	2	54 (+)	54 or 53 or 53/51 (*)	Ch12 Input / 21
		52 (-)	52	0 V ref (**) / 2, 12, 15, 25
#15	1	44 (+)	44 or 43 or 43/41 (*)	Ch13 Input / 9
		42 (-)	42	0 V ref (**) / 2, 12, 15, 25
	2	54 (+)	54 or 53 or 53/51 (*)	Ch14 Input / 22
		52 (-)	52	0 V ref (**) / 2, 12, 15, 25
#16	1	44 (+)	44 or 43 or 43/41 (*)	Ch15 Input / 10
		42 (-)	42	0 V ref (**) / 2, 12, 15, 25
	2	54 (+)	54 or 53 or 53/51 (*)	Ch16 Input / 23
		52 (-)	52	0 V ref (**) / 2, 12, 15, 25

Please note:

(*) Check 9202 manual for correct contact input wiring.

(**) 0 V ref. / 2, 12, 15, 25 are shorted internally on the backplane.

7916-ABBS8-C1G

DI810, DI814, DI830, DI840 and DI880 card wiring via 1 x TU812

16 x DI - PR 9202xxA 1 channel

9202xxA Field equipment terminals				DCS 1 connection TU812 CN1 SUB-D 25
Unit	Ch.	NAMUR sensor	Contact signal	Signal name / Pin number
#1	1	44 (+)	44 or 43 or 43/41 (*)	Ch1 Input / 3
		42 (-)	42	0 V ref (**) / 2, 12, 15, 25
#2	1	44 (+)	44 or 43 or 43/41 (*)	Ch2 Input / 16
		42 (-)	42	0 V ref (**) / 2, 12, 15, 25
#3	1	44 (+)	44 or 43 or 43/41 (*)	Ch3 Input / 4
		42 (-)	42	0 V ref (**) / 2, 12, 15, 25
#4	1	44 (+)	44 or 43 or 43/41 (*)	Ch4 Input / 17
		42 (-)	42	0 V ref (**) / 2, 12, 15, 25
#5	1	44 (+)	44 or 43 or 43/41 (*)	Ch5 Input / 5
		42 (-)	42	0 V ref (**) / 2, 12, 15, 25
#6	1	44 (+)	44 or 43 or 43/41 (*)	Ch6 Input / 18
		42 (-)	42	0 V ref (**) / 2, 12, 15, 25
#7	1	44 (+)	44 or 43 or 43/41 (*)	Ch7 Input / 6
		42 (-)	42	0 V ref (**) / 2, 12, 15, 25
#8	1	44 (+)	44 or 43 or 43/41 (*)	Ch8 Input / 19
		42 (-)	42	0 V ref (**) / 2, 12, 15, 25

Please note:

(*) Check 9202 manual for correct contact input wiring.

(**) 0 V ref. / 2, 12, 15, 25 are shorted internally on the backplane.

9202xxA Field equipment terminals				DCS 2 connection TU812 CN2 SUB-D 25
Unit	Ch.	NAMUR sensor	Contact signal	Signal name / Pin number
#9	1	44 (+)	44 or 43 or 43/41 (*)	Ch9 Input / 7
		42 (-)	42	0 V ref (**) / 2, 12, 15, 25
#10	1	44 (+)	44 or 43 or 43/41 (*)	Ch10 Input / 20
		42 (-)	42	0 V ref (**) / 2, 12, 15, 25
#11	1	44 (+)	44 or 43 or 43/41 (*)	Ch11 Input / 8
		42 (-)	42	0 V ref (**) / 2, 12, 15, 25
#12	1	44 (+)	44 or 43 or 43/41 (*)	Ch12 Input / 21
		42 (-)	42	0 V ref (**) / 2, 12, 15, 25
#13	1	44 (+)	44 or 43 or 43/41 (*)	Ch13 Input / 9
		42 (-)	42	0 V ref (**) / 2, 12, 15, 25
#14	1	44 (+)	44 or 43 or 43/41 (*)	Ch14 Input / 22
		42 (-)	42	0 V ref (**) / 2, 12, 15, 25
#15	1	44 (+)	44 or 43 or 43/41 (*)	Ch15 Input / 10
		42 (-)	42	0 V ref (**) / 2, 12, 15, 25
#16	1	44 (+)	44 or 43 or 43/41 (*)	Ch16 Input / 23
		42 (-)	42	0 V ref (**) / 2, 12, 15, 25

Please note:

(*) Check 9202 manual for correct contact input wiring.

(**) 0 V ref. / 2, 12, 15, 25 are shorted internally on the backplane.

7908-ABBS8-D1J

D0810, D0840 and D0880 card wiring via 1 x TU812

16 x DO - PR 9203xxBx 2 channels

9203xxBx Field equipment terminals				DCS connection TU812 CN1 SUB-D 25
Unit	Ch.	Output (+) signal	Return (-) signal	Signal name / Pin number
#1	1	42, 43, 44 (*)	41	Ch1 Output / 3 +24 V COM (**) / 1, 11, 14, 24
	2	52, 53, 54 (*)	51	Ch2 Output / 16 +24 V COM (**) / 1, 11, 14, 24
#2	1	42, 43, 44 (*)	41	Ch3 Output / 4 +24 V COM (**) / 1, 11, 14, 24
	2	52, 53, 54 (*)	51	Ch4 Output / 17 +24 V COM (**) / 1, 11, 14, 24
#3	1	42, 43, 44 (*)	41	Ch5 Output / 5 +24 V COM (**) / 1, 11, 14, 24
	2	52, 53, 54 (*)	51	Ch6 Output / 18 +24 V COM (**) / 1, 11, 14, 24
#4	1	42, 43, 44 (*)	41	Ch7 Output / 6 +24 V COM (**) / 1, 11, 14, 24
	2	52, 53, 54 (*)	51	Ch8 Output / 19 +24 V COM (**) / 1, 11, 14, 24
#5	1	42, 43, 44 (*)	41	Ch9 Output / 7 +24 V COM (**) / 1, 11, 14, 24
	2	52, 53, 54 (*)	51	Ch10 Output / 20 +24 V COM (**) / 1, 11, 14, 24
#6	1	42, 43, 44 (*)	41	Ch11 Output / 8 +24 V COM (**) / 1, 11, 14, 24
	2	52, 53, 54 (*)	51	Ch12 Output / 21 +24 V COM (**) / 1, 11, 14, 24
#7	1	42, 43, 44 (*)	41	Ch13 Output / 9 +24 V COM (**) / 1, 11, 14, 24
	2	52, 53, 54 (*)	51	Ch14 Output / 22 +24 V COM (**) / 1, 11, 14, 24
#8	1	42, 43, 44 (*)	41	Ch15 Output / 10 +24 V COM (**) / 1, 11, 14, 24
	2	52, 53, 54 (*)	51	Ch16 Output / 23 +24 V COM (**) / 1, 11, 14, 24

Please note:

(*) Check 9203 manual for correct output signal wiring.

(**) +24 V COM / 1, 11, 14, 24 are shorted internally on the backplane.

7916-ABBS8-D1J

D0810, D0840 and D0880 card wiring via 1 x TU812

32 x DO - PR 9203xxBx 2 channels

9203xxBx Field equipment terminals				DCS 1 connection TU812 CN1 SUB-D 25
Unit	Ch.	Output (+) signal	Return (-) signal	Signal name / Pin number
#1	1	42, 43, 44 (*)	41	Ch1 Output / 3 +24 V COM (**) / 1, 11, 14, 24
	2	52, 53, 54 (*)	51	Ch2 Output / 16 +24 V COM (**) / 1, 11, 14, 24
#2	1	42, 43, 44 (*)	41	Ch3 Output / 4 +24 V COM (**) / 1, 11, 14, 24
	2	52, 53, 54 (*)	51	Ch4 Output / 17 +24 V COM (**) / 1, 11, 14, 24
#3	1	42, 43, 44 (*)	41	Ch5 Output / 5 +24 V COM (**) / 1, 11, 14, 24
	2	52, 53, 54 (*)	51	Ch6 Output / 18 +24 V COM (**) / 1, 11, 14, 24
#4	1	42, 43, 44 (*)	41	Ch7 Output / 6 +24 V COM (**) / 1, 11, 14, 24
	2	52, 53, 54 (*)	51	Ch8 Output / 19 +24 V COM (**) / 1, 11, 14, 24
#5	1	42, 43, 44 (*)	41	Ch9 Output / 7 +24 V COM (**) / 1, 11, 14, 24
	2	52, 53, 54 (*)	51	Ch10 Output / 20 +24 V COM (**) / 1, 11, 14, 24
#6	1	42, 43, 44 (*)	41	Ch11 Output / 8 +24 V COM (**) / 1, 11, 14, 24
	2	52, 53, 54 (*)	51	Ch12 Output / 21 +24 V COM (**) / 1, 11, 14, 24
#7	1	42, 43, 44 (*)	41	Ch13 Output / 9 +24 V COM (**) / 1, 11, 14, 24
	2	52, 53, 54 (*)	51	Ch14 Output / 22 +24 V COM (**) / 1, 11, 14, 24
#8	1	42, 43, 44 (*)	41	Ch15 Output / 10 +24 V COM (**) / 1, 11, 14, 24
	2	52, 53, 54 (*)	51	Ch16 Output / 23 +24 V COM (**) / 1, 11, 14, 24

Please note:

(*) Check 9203 manual for correct output signal wiring.

(**) +24 V COM / 1, 11, 14, 24 are shorted internally on the backplane.

9203xxBx Field equipment terminals				DCS 2 connection TU812 CN2 SUB-D 25
Unit	Ch.	Output (+) signal	Return (-) signal	Signal name / Pin number
#9	1	42, 43, 44 (*)	41	Ch1 Output / 3 +24 V COM (**) / 1, 11, 14, 24
	2	52, 53, 54 (*)	51	Ch2 Output / 16 +24 V COM (**) / 1, 11, 14, 24
#10	1	42, 43, 44 (*)	41	Ch3 Output / 4 +24 V COM (**) / 1, 11, 14, 24
	2	52, 53, 54 (*)	51	Ch4 Output / 17 +24 V COM (**) / 1, 11, 14, 24
#11	1	42, 43, 44 (*)	41	Ch5 Output / 5 +24 V COM (**) / 1, 11, 14, 24
	2	52, 53, 54 (*)	51	Ch6 Output / 18 +24 V COM (**) / 1, 11, 14, 24
#12	1	42, 43, 44 (*)	41	Ch7 Output / 6 +24 V COM (**) / 1, 11, 14, 24
	2	52, 53, 54 (*)	51	Ch8 Output / 19 +24 V COM (**) / 1, 11, 14, 24
#13	1	42, 43, 44 (*)	41	Ch9 Output / 7 +24 V COM (**) / 1, 11, 14, 24
	2	52, 53, 54 (*)	51	Ch10 Output / 20 +24 V COM (**) / 1, 11, 14, 24
#14	1	42, 43, 44 (*)	41	Ch11 Output / 8 +24 V COM (**) / 1, 11, 14, 24
	2	52, 53, 54 (*)	51	Ch12 Output / 21 +24 V COM (**) / 1, 11, 14, 24
#15	1	42, 43, 44 (*)	41	Ch13 Output / 9 +24 V COM (**) / 1, 11, 14, 24
	2	52, 53, 54 (*)	51	Ch14 Output / 22 +24 V COM (**) / 1, 11, 14, 24
#16	1	42, 43, 44 (*)	41	Ch15 Output / 10 +24 V COM (**) / 1, 11, 14, 24
	2	52, 53, 54 (*)	51	Ch16 Output / 23 +24 V COM (**) / 1, 11, 14, 24

Please note:

(*) Check 9203 manual for correct output signal wiring.

(**) +24 V COM / 1, 11, 14, 24 are shorted internally on the backplane.

7916-ABBS8-D1I

D0810, D0840 and D0880 card wiring via 1 x TU812

16 x DO - PR 9203xxAx 1 channels

9203xxAx Field equipment terminals				DCS connection TU812 CN1 SUB-D 25
Unit	Ch.	Output (+) signal	Return (-) signal	Signal name / Pin number
#1	1	42, 43, 44 (*)	41	Ch1 Output / 3
				+24 V COM (**)/ 1, 11, 14, 24
#2	1	42, 43, 44 (*)	41	Ch2 Output / 16
				+24 V COM (**)/ 1, 11, 14, 24
#3	1	42, 43, 44 (*)	41	Ch3 Output / 4
				+24 V COM (**)/ 1, 11, 14, 24
#4	1	42, 43, 44 (*)	41	Ch4 Output / 17
				+24 V COM (**)/ 1, 11, 14, 24
#5	1	42, 43, 44 (*)	41	Ch5 Output / 5
				+24 V COM (**)/ 1, 11, 14, 24
#6	1	42, 43, 44 (*)	41	Ch6 Output /18
				+24 V COM (**)/ 1, 11, 14, 24
#7	1	42, 43, 44 (*)	41	Ch7 Output / 6
				+24 V COM (**)/ 1, 11, 14, 24
#8	1	42, 43, 44 (*)	41	Ch8 Output / 19
				+24 V COM (**)/ 1, 11, 14, 24

Please note:

(*) Check 9203 manual for correct output signal wiring.

(**) +24 V COM / 1, 11, 14, 24 are shorted internally on the backplane.

9203xxAx Field equipment terminals				DCS connection TU812 CN1 SUB-D 25
Unit	Ch.	Output (+) signal	Return (-) signal	Signal name / Pin number
#9	1	42, 43, 44 (*)	41	Ch9 Output / 7
				+24 V COM (**) / 1, 11, 14, 24
#10	1	42, 43, 44 (*)	41	Ch10 Output / 20
				+24 V COM (**) / 1, 11, 14, 24
#11	1	42, 43, 44 (*)	41	Ch11 Output / 8
				+24 V COM (**) / 1, 11, 14, 24
#12	1	42, 43, 44 (*)	41	Ch12 Output / 21
				+24 V COM (**) / 1, 11, 14, 24
#13	1	42, 43, 44 (*)	41	Ch13 Output / 9
				+24 V COM (**) / 1, 11, 14, 24
#14	1	42, 43, 44 (*)	41	Ch14 Output / 22
				+24 V COM (**) / 1, 11, 14, 24
#15	1	42, 43, 44 (*)	41	Ch15 Output / 10
				+24 V COM (**) / 1, 11, 14, 24
#16	1	42, 43, 44 (*)	41	Ch16 Output / 23
				+24 V COM (**) / 1, 11, 14, 24

Please note:

(*) Check 9203 manual for correct output signal wiring.

(**) +24 V COM / 1, 11, 14, 24 are shorted internally on the backplane.

Appendix

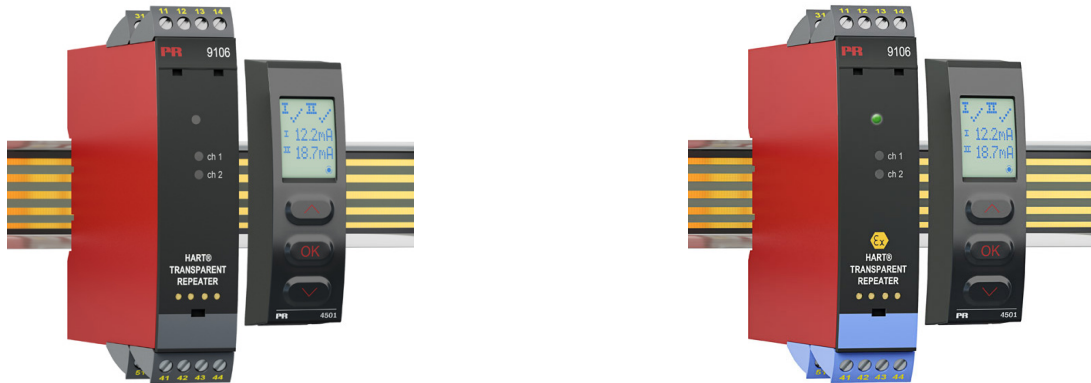
**Backplane to I/O card cable references
&
9106, 9107, 9113, 9202, 9203
wiring connection**

System cables for ABB backplanes

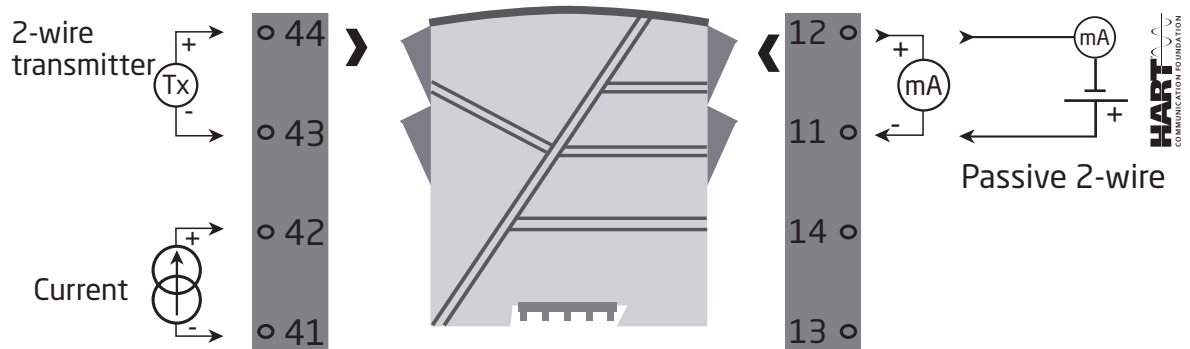
Description

- Shielded round cable, assembled with two SUB-D 25 female connectors pin to pin.
- Cable length: Variable.
- The following I/O cards can be connected:
AI810, AI815, AI845, AI880
AO810, AO815, AO845
DI810, DI814, DI830, DI840, DI880
DO810, DO840, DO880

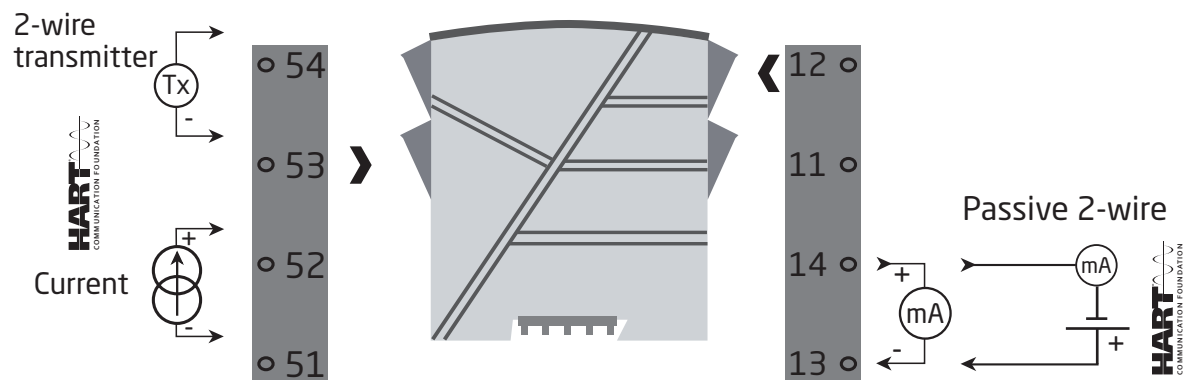
9106 HART transparent repeater



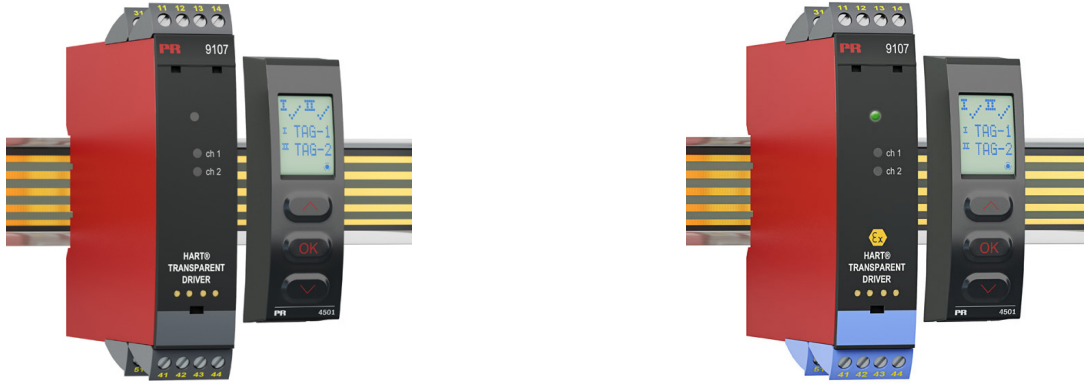
Channel 1



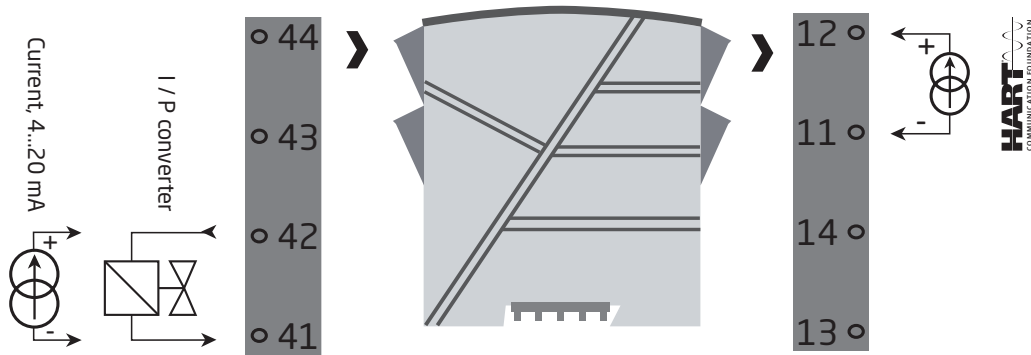
Channel 2



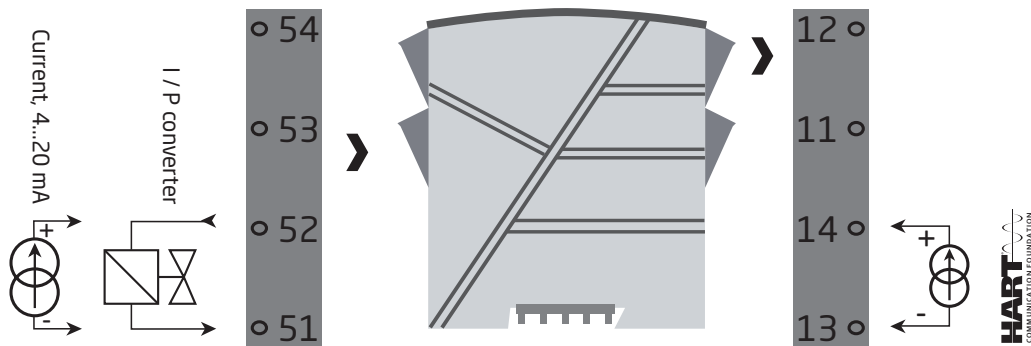
9107 HART transparent driver



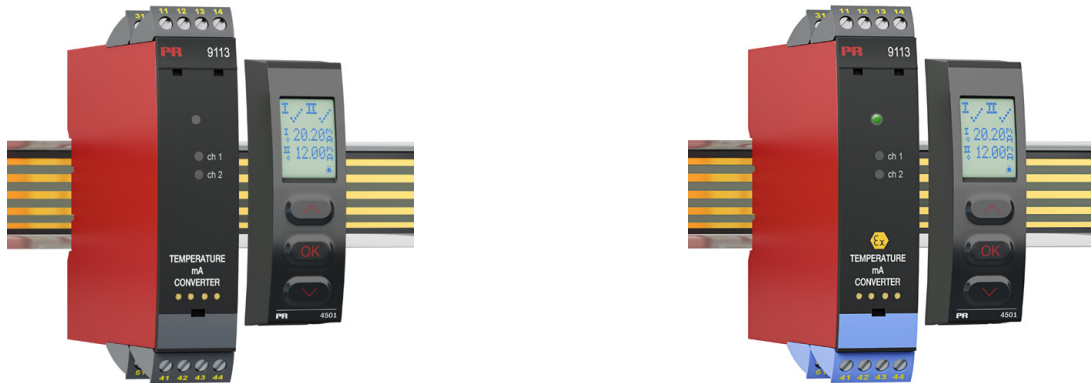
Channel 1



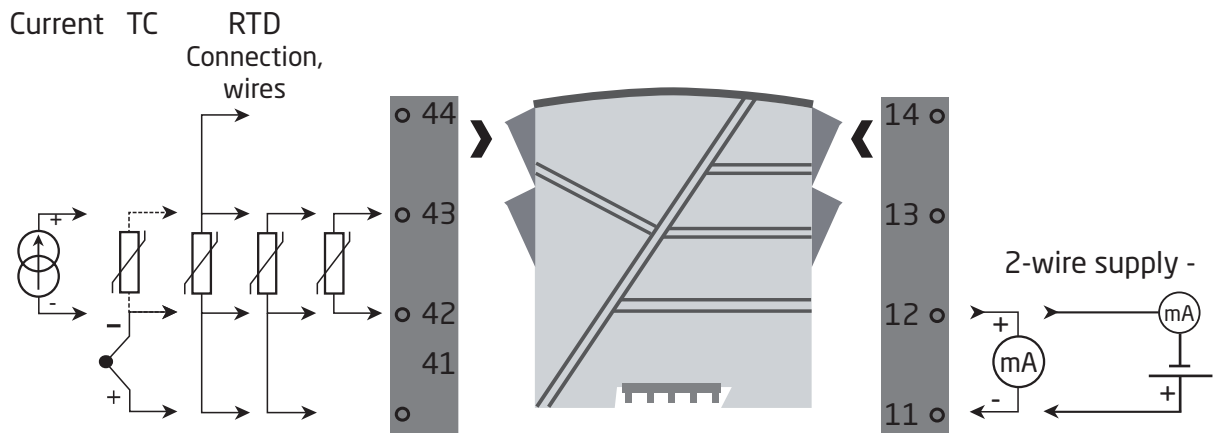
Channel 2



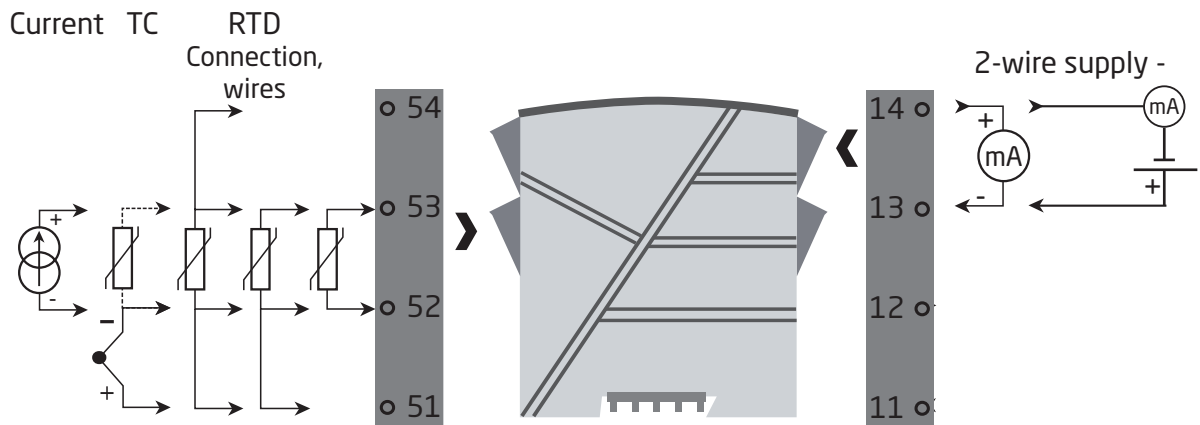
9113 Temperature / mA converter



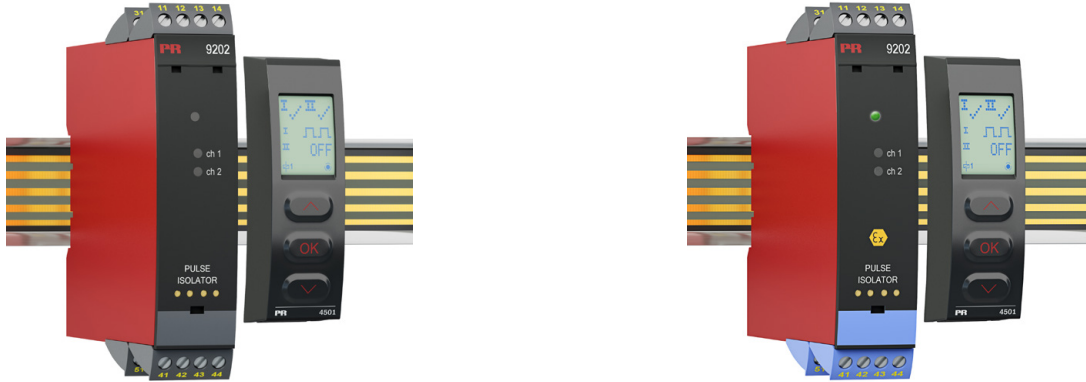
Channel 1:



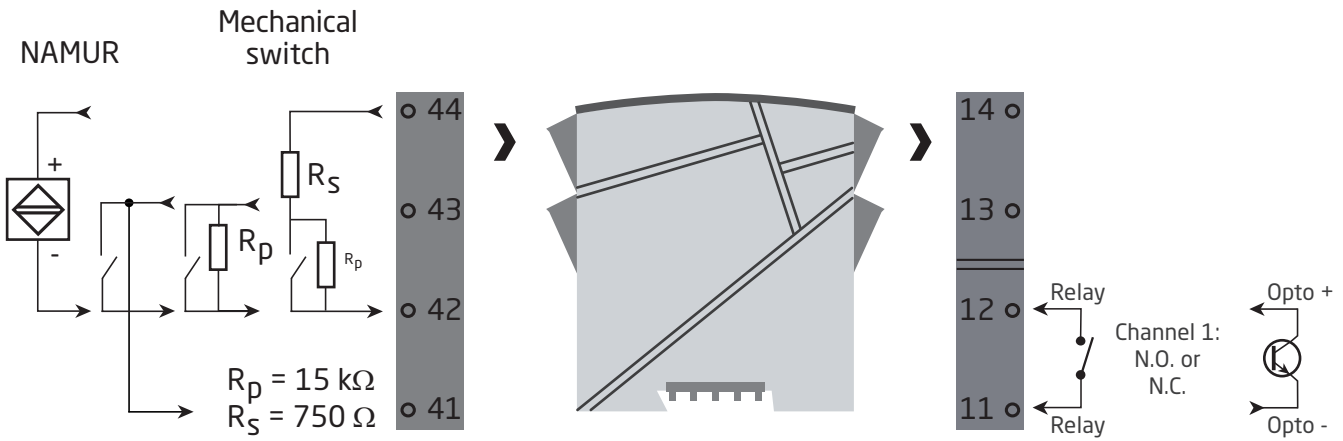
Channel 2:



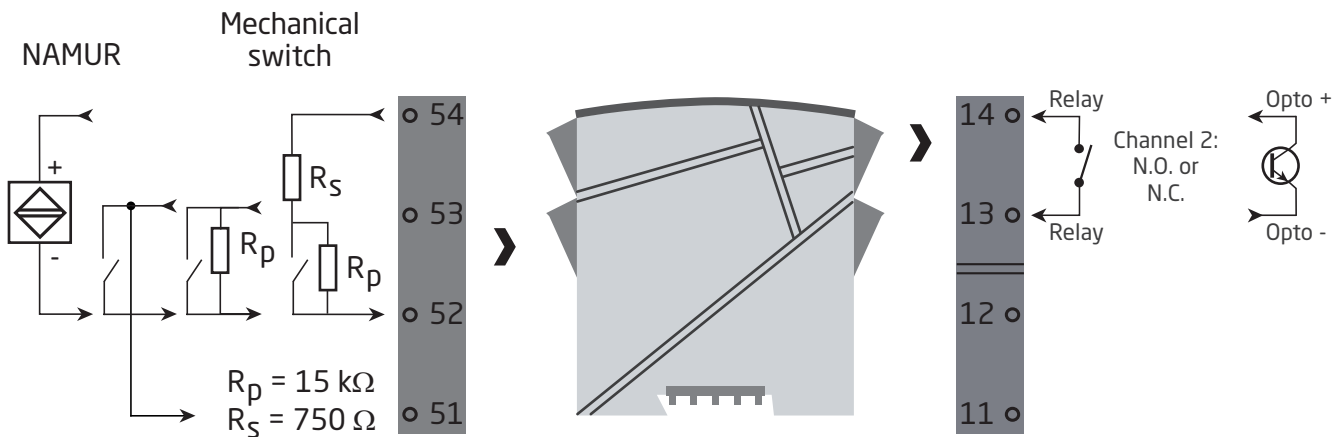
9202 Pulse isolator



Channel 1:

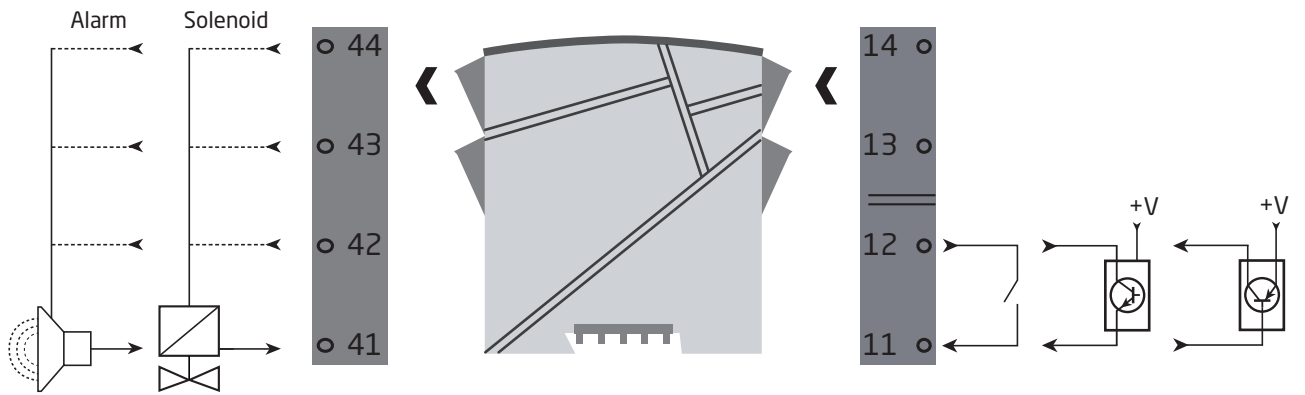


Channel 2:

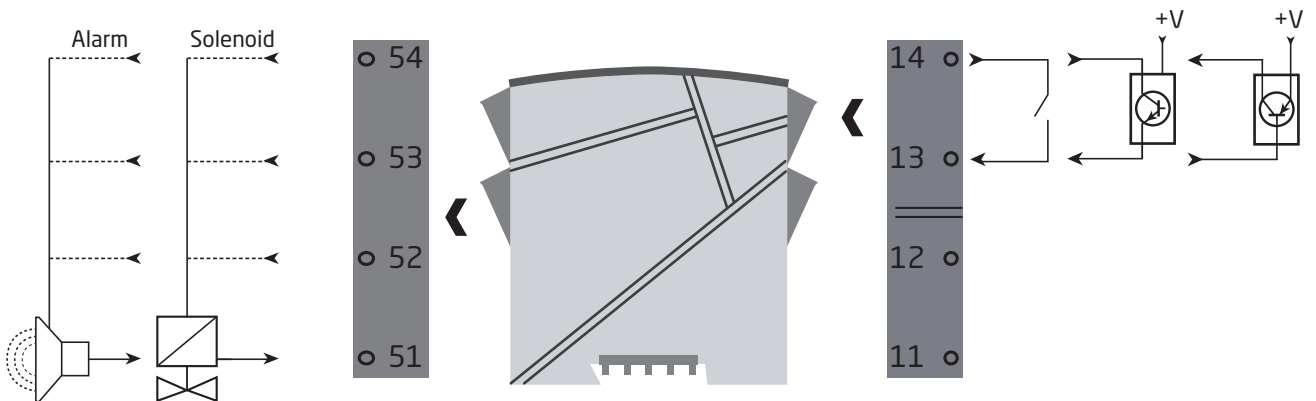


9203 Solenoid / alarm driver

Channel 1



Channel 2



Document history

The following list provides notes concerning revisions of this document.

Rev. ID	Date	Notes
100	1803	initial release of the product.
101	2011	AI880 added to 79xx-ABBS8-A1x.

We are near you, *all over the world*

Our trusted red boxes are supported wherever you are

All our devices are backed by expert service and a 5-year warranty. With each product you purchase, you receive personal technical support and guidance, day-to-day delivery, repair without charge within the warranty period and easily accessible documentation.

We are headquartered in Denmark, and have offices and authorized partners the world over. We are a local

business with a global reach. This means that we are always nearby and know your local markets well. We are committed to your satisfaction and provide PERFORMANCE MADE SMARTER all around the world.

For more information on our warranty program, or to meet with a sales representative in your region, visit prelectronics.com.

Benefit today from *PERFORMANCE MADE SMARTER*

PR electronics is the leading technology company specialized in making industrial process control safer, more reliable and more efficient. Since 1974, we have been dedicated to perfecting our core competence of innovating high precision technology with low power consumption. This dedication continues to set new standards for products communicating, monitoring and connecting our customers' process measurement points to their process control systems.

Our innovative, patented technologies are derived from our extensive R&D facilities and from having a great understanding of our customers' needs and processes. We are guided by principles of simplicity, focus, courage and excellence, enabling some of the world's greatest companies to achieve PERFORMANCE MADE SMARTER.